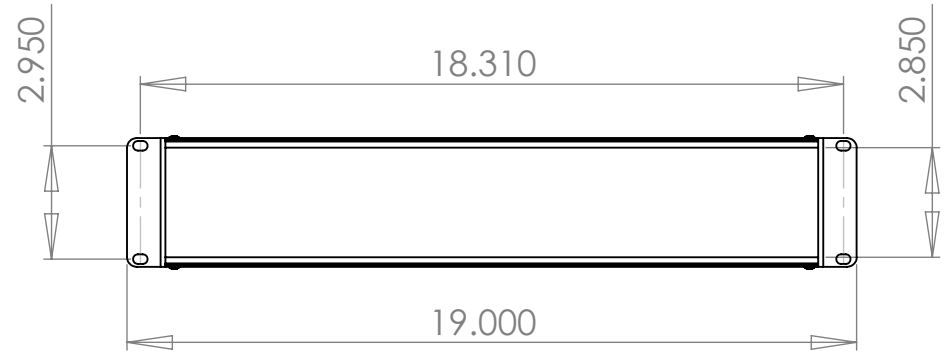
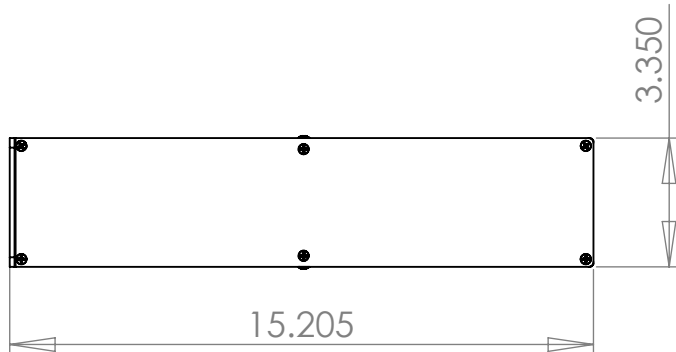
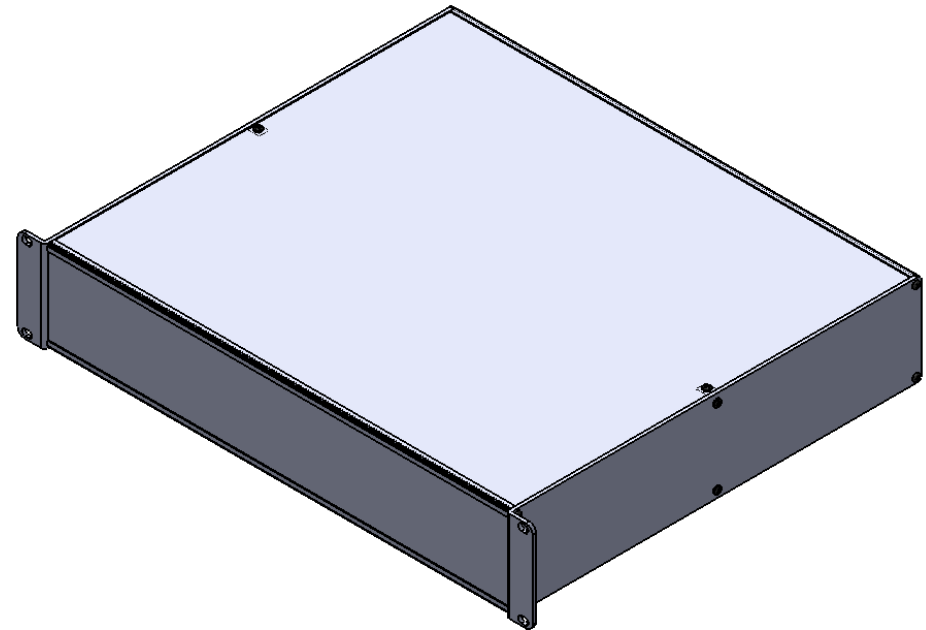
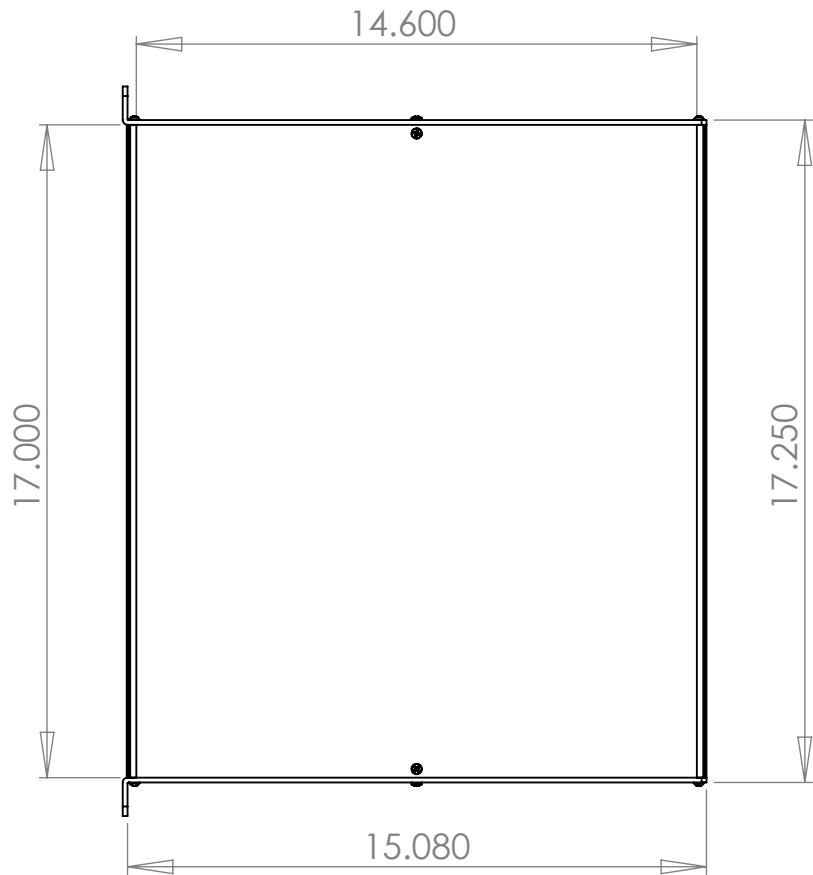


RACK MOUNTING

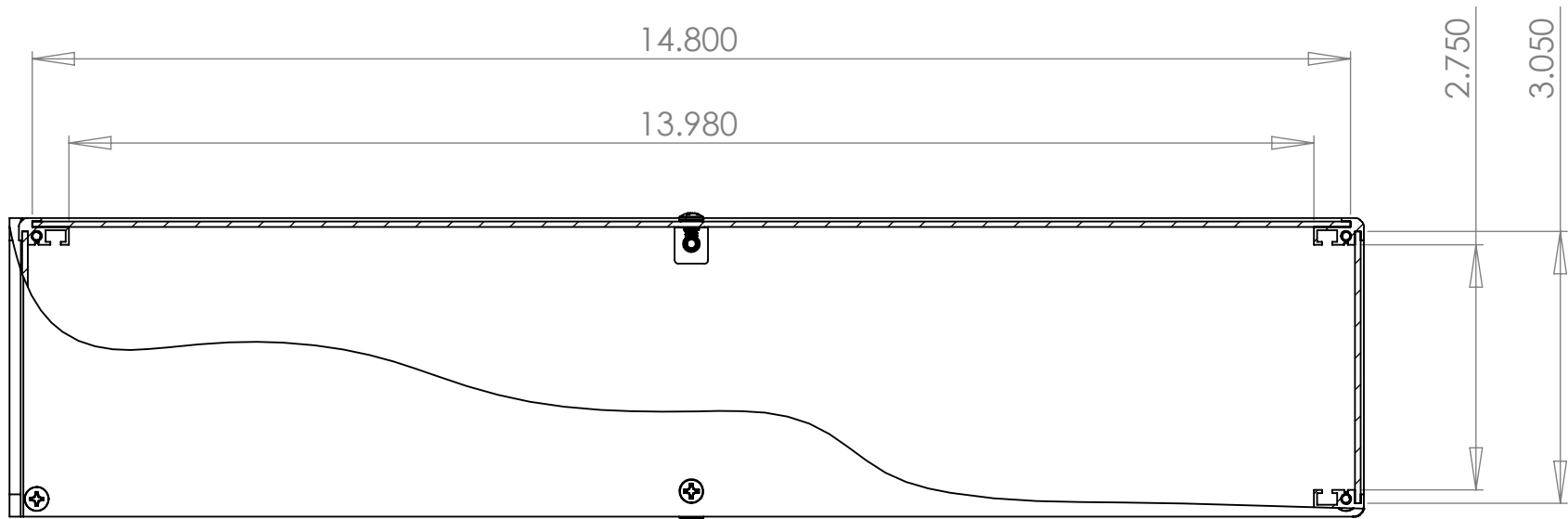


WOLGRAM
Engineered Plastics, LLC.
www.wolgrammfg.com
866-WOLGRAM

PART NUMBER **2RU15**
19 x 15 x 3.5 Aluminum Enclosure.
Black Anodized

Unless otherwise specified, dimensions are in inches. Information in this drawing is provided for reference only.

RACK MOUNTING



WOLGRAM
Engineered Plastics, LLC.
www.wolgrammfg.com
866-WOLGRAM

PART NUMBER **2RU15**
19 x 15 x 3.5 Aluminum Enclosure.
Black Anodized

Unless otherwise specified, dimensions are in inches. Information in this drawing is provided for reference only.