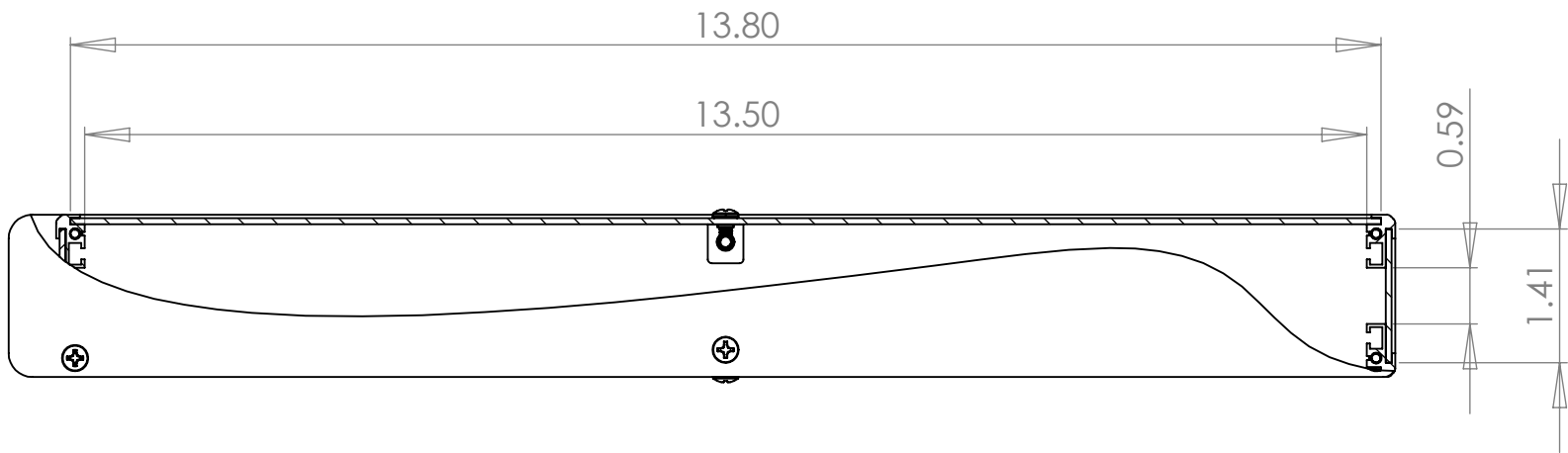


**WOLGRAM**  
 Engineered Plastics, LLC.  
 www.wolgrammfg.com  
 866-WOLGRAM

PART NUMBER **MC-24A**  
 12.75 x 14 x 1.75 Aluminum Enclosure.  
 Black Anodized

Unless otherwise specified, dimensions are in inches. Information in this drawing is provided for reference only.



**WOLGRAM**  
 Engineered Plastics, LLC.  
[www.wolgrammfg.com](http://www.wolgrammfg.com)  
 866-WOLGRAM

PART NUMBER **MC-24A**  
 12.75 x 14 x 1.75 Aluminum Enclosure.  
 Black Anodized

Unless otherwise specified, dimensions are in inches. Information in this drawing is provided for reference only.