

**WOLGRAM**  
 Engineered Plastics, LLC.  
[www.wolgrammfg.com](http://www.wolgrammfg.com)  
 866-WOLGRAM

PART NUMBER **MC-22A**  
 12.75 x 7 x 1.75 Aluminum Enclosure.  
 Black Anodized

Unless otherwise specified, dimensions are in inches. Information in this drawing is provided for reference only.

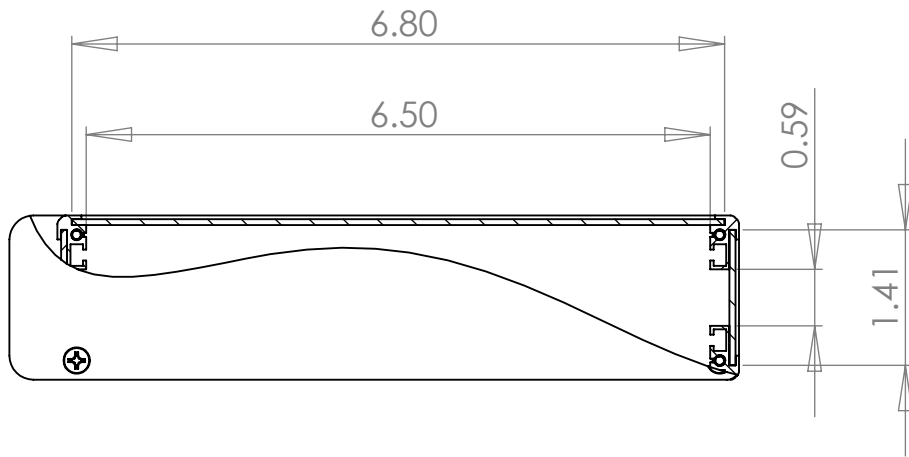
5

4

3

2

1



**WOLGRAM**  
 Engineered Plastics, LLC.  
[www.wolgrammfg.com](http://www.wolgrammfg.com)  
 866-WOLGRAM

PART NUMBER **MC-22A**  
 12.75 x 7 x 1.75 Aluminum Enclosure.  
 Black Anodized

Unless otherwise specified, dimensions are in inches. Information in this drawing is provided for reference only.